

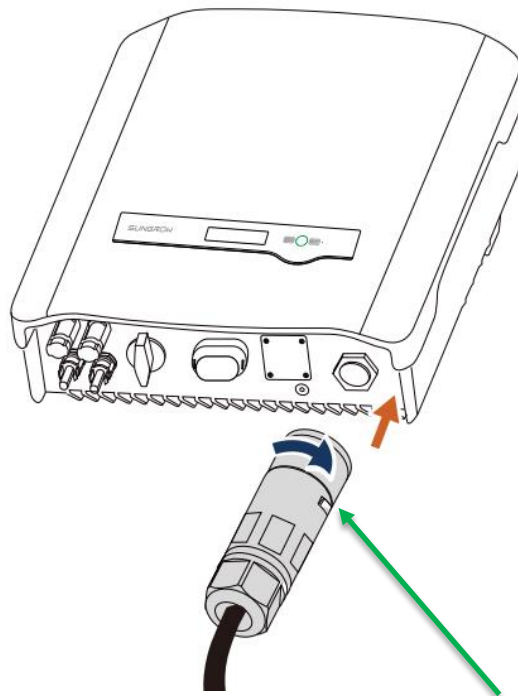
Sungrow Inverter range – Compliance statement on AC connection.

All Sungrow residential inverters are fully compliant with all standards in relation to the safety of the AC plug/connectors.

A screwdriver is required to remove all Sungrow AC plugs and connectors.

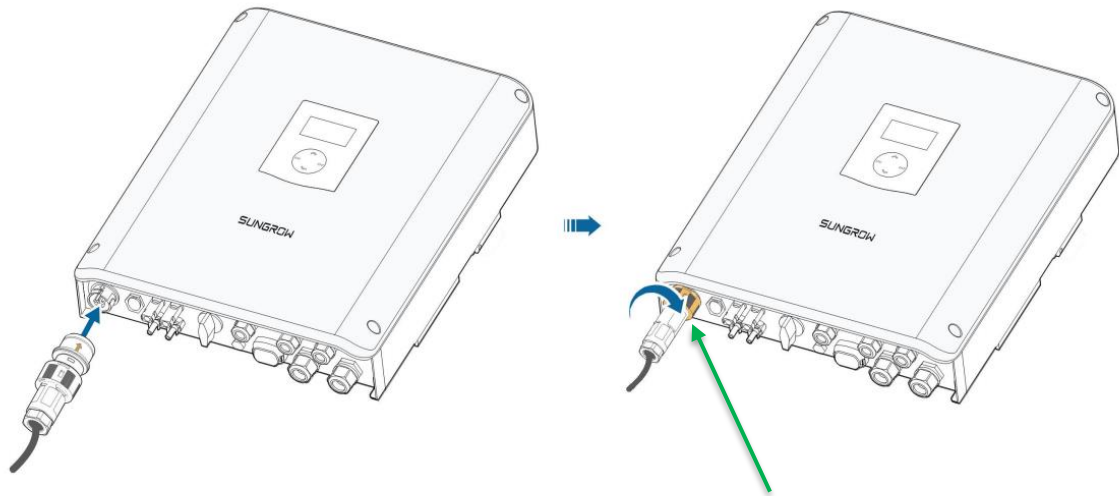
The following list is excerpted from Sungrow Owner's manuals which are all available on our public web page (see link at bottom of document).

Gen 2 Grid Connect Series:



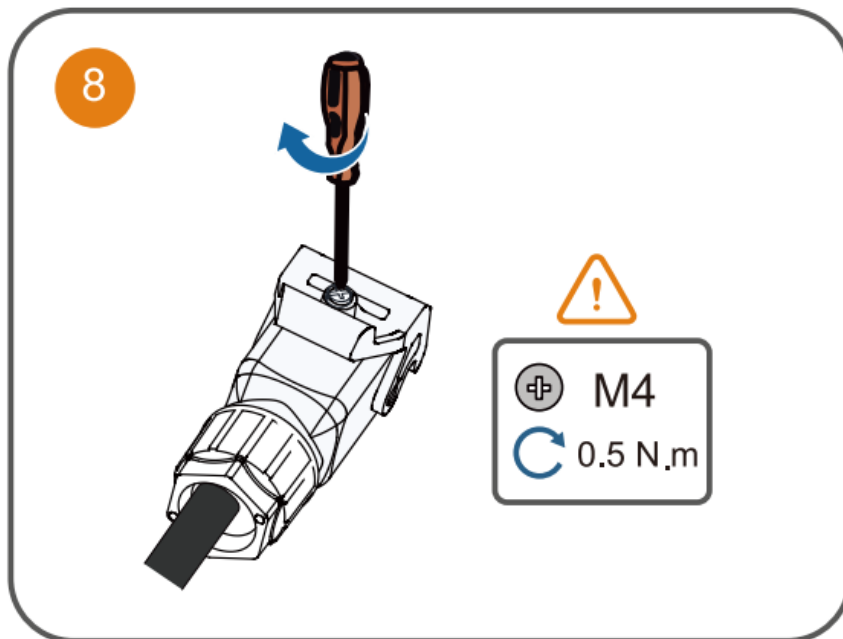
Push screwdriver into the slot to release the locknut.

SH5K Hybrid series:



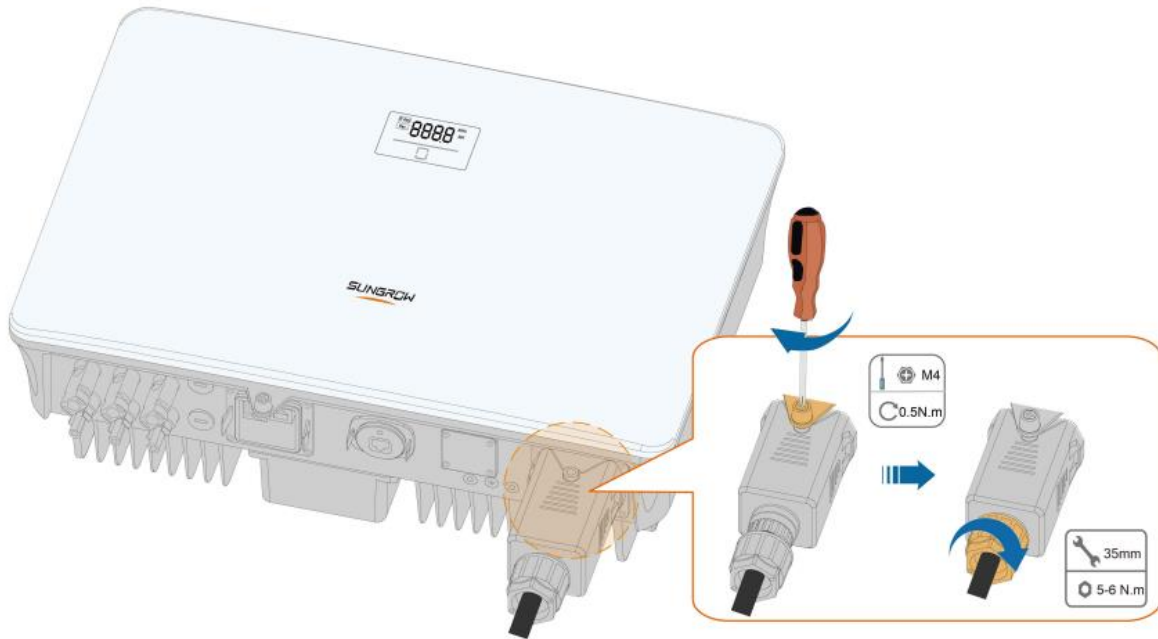
Push screwdriver into the slot to release the locknut.

Gen 3 Single-Phase Grid Connect (< 5kW):



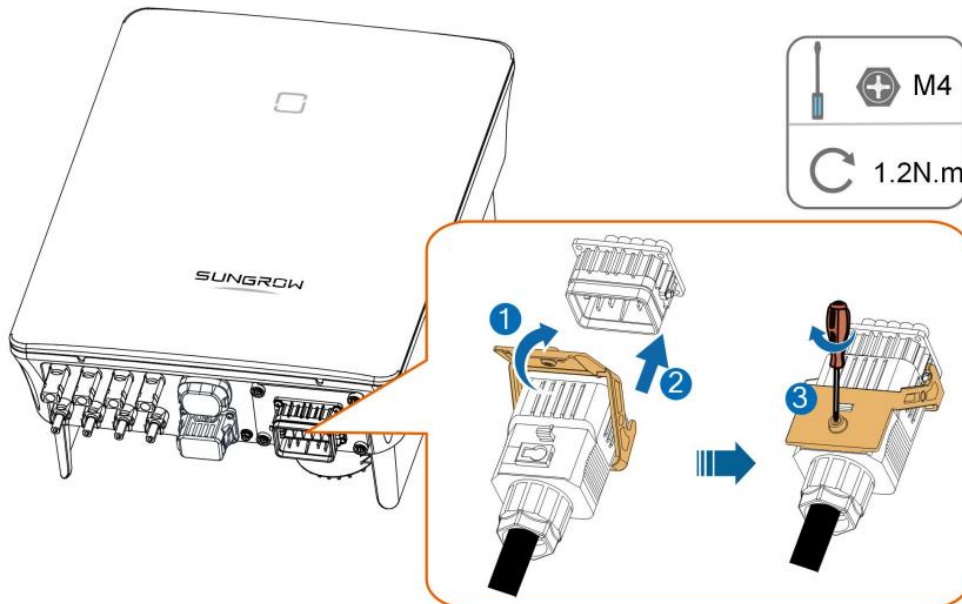
Loosen the screw to enable the locking clip to be released.

Gen 3 Single-Phase Grid Connect 5 – 10 kW:



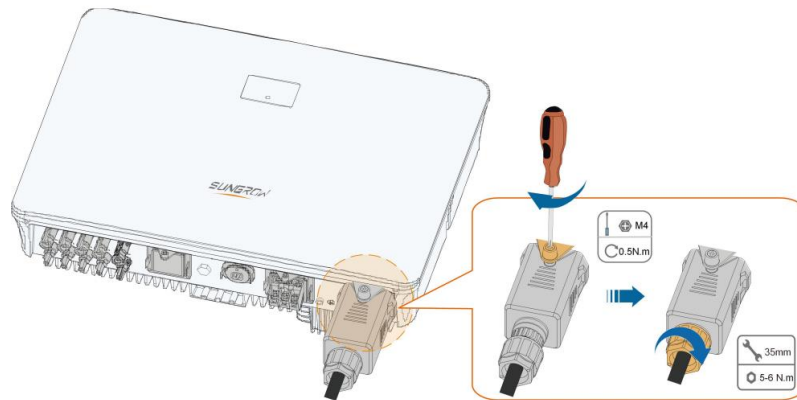
The fixed wiring is protected by a lockable weatherproof shroud.

Gen 3, 3-Phase Grid Connect Inverter:



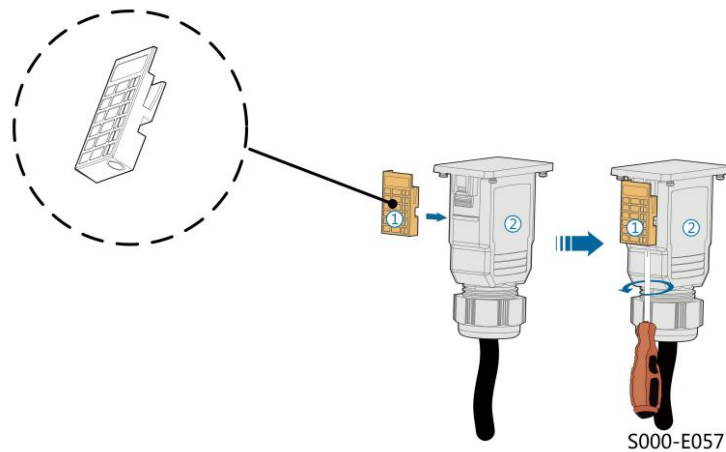
Unscrew the locking screw to release the plug locking device.

Gen 3 Single-Phase HV Hybrid Inverter series:



The fixed wiring is protected by a weatherproof shroud which is locked in place by a screw.

Gen 3, 3-Phase HV Hybrid Series:



The AC plug is locked into place by the locking clip, and can only be removed with a screwdriver.

For further details and owner’s manuals, please visit our web page:

[World-leading Energy Storage System & Solar Inverter - Sungrow AU \(sungrowpower.com\)](http://sungrowpower.com)