

Guidelines for LV & HV Battery Connection to Sungrow Hybrid Inverters (Single Phase & Three Phase)

Disclaimer

The material in this document has been prepared by Sungrow Australia Group Pty. Ltd. ABN 76 168 258 679 and is intended as a guideline to assist solar installers for troubleshooting. It is not a statement or advice on any of the Electrical or Solar Industry standards or guidelines. Please observe all OH&S regulations when working on Sungrow equipment.

This document mainly specifies the connection between LV & HV batteries to several types of Sungrow Inverters, including LV hybrid single phase, LV & HV hybrid single & three phase inverters.

Battery Connection HV battery on SHRS

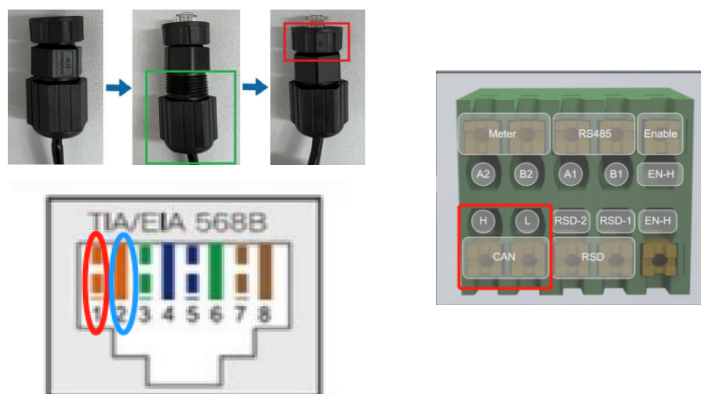
Applicability battery brand: SBR, LG, BYD

This section specifies the connection between HV battery to Sungrow SHRS inverters. The pin connections to Multi Com Port Plug (MCP) are as follow

- **SBR Battery**

Equipped by RJ45 cable from Sungrow, Cable A and B are labelled as Orange White (Pin 1) and Orange (Pin 2) subsequently

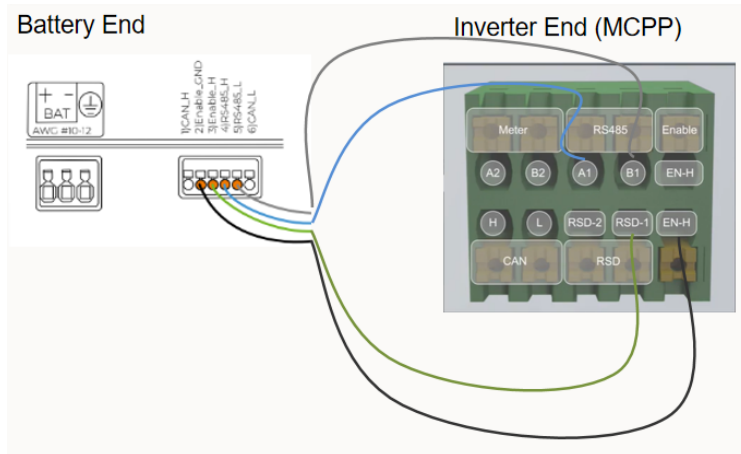
RJ45	MCP
Pin 1 (Cable A)	Pin 2
Pin 2 (Cable B)	Pin 4



● **LG Chem Resu HV Battery**

Connection on LG Chem Resu HV Battery is from the pins inside the terminal of battery, and connections to Sungrow Inverter MCPP are as follow

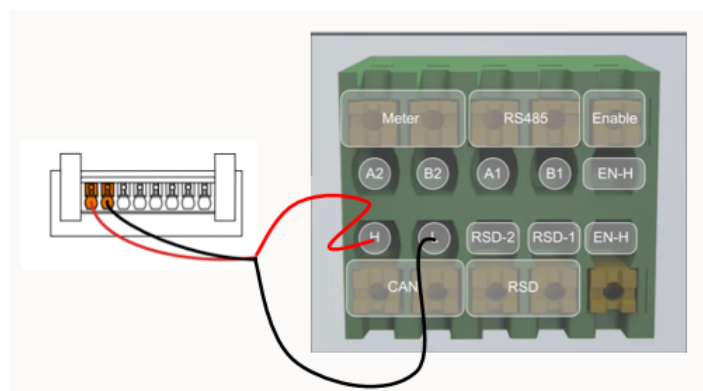
LG HV Battery	MCPP
Pin 2	Pin 10
Pin 3	Pin 8
Pin 4	Pin 5
Pin 5	Pin 7



● **BYD HV Battery**

Connection on BYD HV Battery is from the pins inside the terminal of battery, and connections to Sungrow Inverter MCPP are as follow

BYD HV Battery	MCPP
Pin 1	Pin 2
Pin 2	Pin 4



Battery Connection HV battery on SHRT

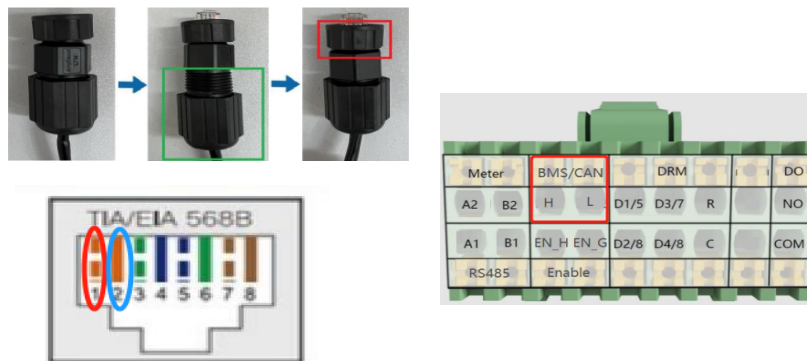
Applicability battery brand: SBR, LG, BYD

This section specifies the connection between several types of HV Battery to Sungrow SHRT inverters.

- **SBR Battery**

Equipped by RJ45 cable from Sungrow, Cable A and B are labelled as Orange White (Pin 1) and Orange (Pin 2) subsequently

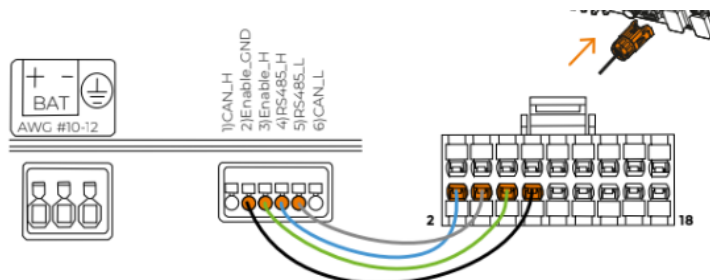
HV battery	MCP
Pin 1 (Cable A)	Pin 5
Pin 2 (Cable B)	Pin 7



- **LG Chem Resu HV Battery**

Connection on LG Chem Resu HV Battery is from the pins inside the terminal of battery, and connections to Sungrow Inverter MCP are as follow

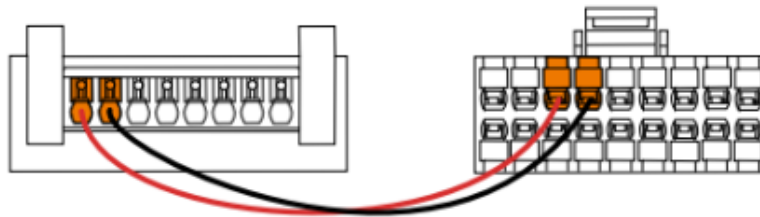
HV battery	MCP
Pin 2	Pin 8
Pin 3	Pin 6
Pin 4	Pin 2
Pin 5	Pin 4



- **BYD HV Battery**

Connection on BYD HV Battery is from the pins inside the terminal of battery, and connections to Sungrow Inverter MCPP are as follow

HV battery	MCPP
Pin 1	Pin 5
Pin 2	Pin 7



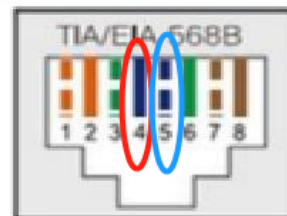
Battery Connection LV Battery on Sungrow LV Inverter

Applicability battery brand: Samsung SBP4K8, LG Chem Battery

- **Samsung SBP4K8**

Via ethernet port on LG Chem Battery, connections to Terminal Inside Sungrow inverter are as follow

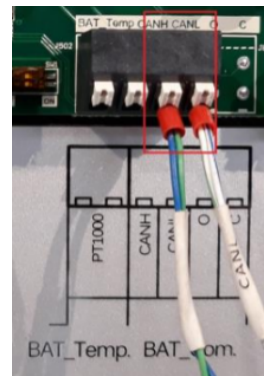
LV battery	Terminal Inside Inverter
Pin 4 (Cable A)	Can H
Pin 5 (Cable B)	Can L



- **LG Chem Battery**

Via ethernet port on LG Chem Battery, connections to Terminal Inside Sungrow inverter are as follow

LV battery	Terminal Inside Inverter
Pin 4&6 (Cable A)	Can H
Pin 3&5 (Cable B)	Can L



If the issue persists after following above procedures, please take photos testing on site and contact Sungrow Service Department on 1800 786 476 or email to service@sungrowpower.com.au, Monday- Friday 9am - 5pm (AEDT).