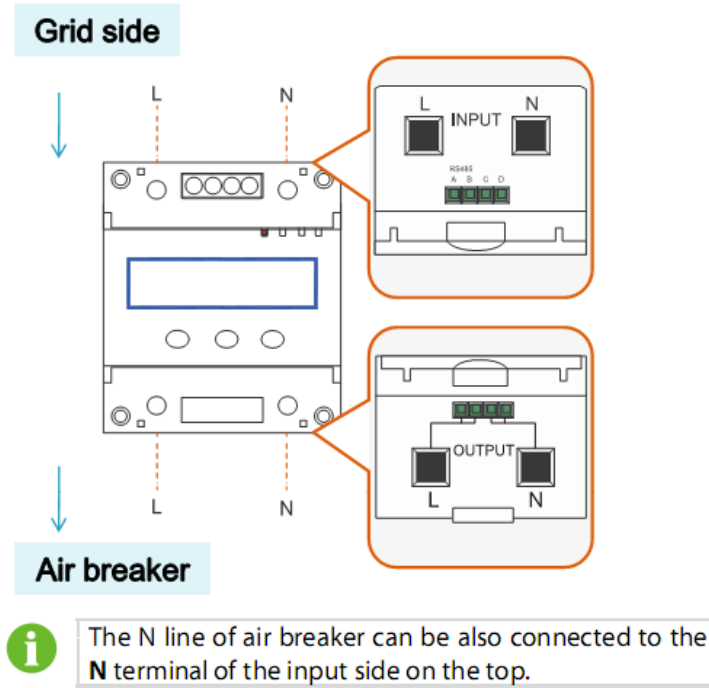
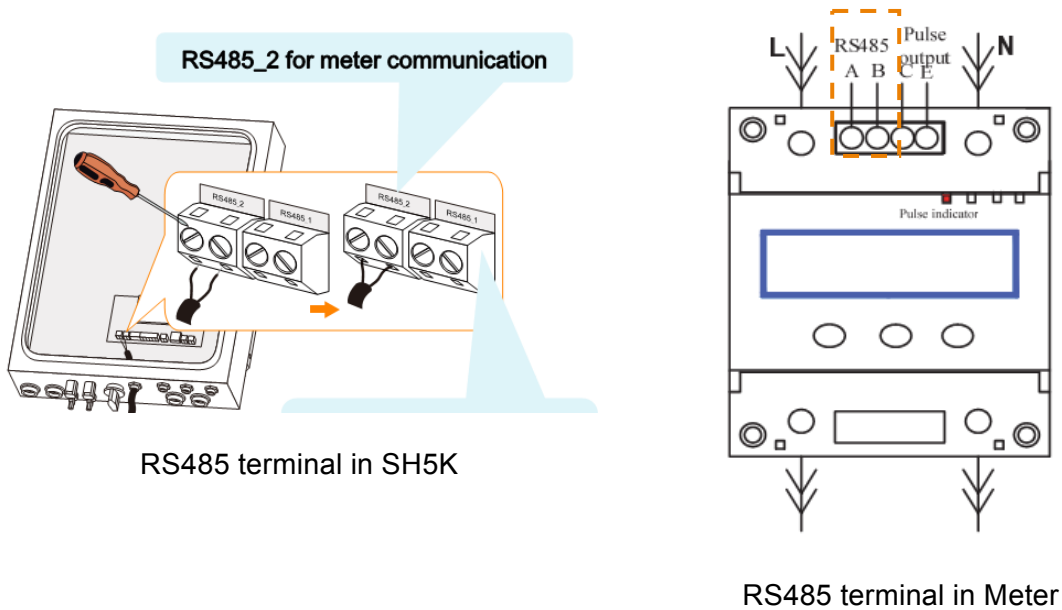


## Export limit settings

### 1. Meter installation



### 2. RS485 communication



### 3. Zero-export function setting in SH5K



Please operate the below instruction via the LCD display and **set the Feed Pwr [%] to 0, Zero-export function will be enabled.** When Zero-export function is activated, the optimised power will be disable.

**Main Screen (Press ENTER)→Menu (Press >×2)→Settings (Press ENTER)→ Inputting password 111 (Press ENTER)→Settings (Press >×1)→Feed Setting (Press ENTER)**

**Press >** to move cursor and **Press ▲** to set the time. Confirm the settings by **Pressing ENTER**.

Feed Setting	
Feed Pwr [%]	092.0
Optimized mode is disabled when feed power is lower than the optimized power!	

If the feed power is lower than the optimized power of loads, the optimized mode will be disabled. The information will prompt on the screen. For optimized power setting, see "7.7.6 Setting Load Control".

Button	Operation	Description
 ESC	Press less than one second	Move upwards, or increase the setting value. Hereinafter, it is referred to as "Press ▲".
	Press more than one second	Return to the previous menu or cancel the command. Hereinafter, it is referred to as "Press ESC".
 ENTER	Press less than one second	Move downwards or right, or turn pages. Hereinafter, it is referred to as "Press >".
	Press more than one second	Enter into the submenu or confirm the command. Hereinafter, it is referred to as "Press ENTER".