

RS485 Pin-outs for 3-Phase CT Meter

Model Number T65

Issue: Some of the earlier units were sent out with the incorrect pin-outs on the supplied RS485 cable. This will cause the alarm to show on the inverter.

Solution: Cut back the pre-terminated green and brown cables at the meter end of the cable, and use the configuration shown below.

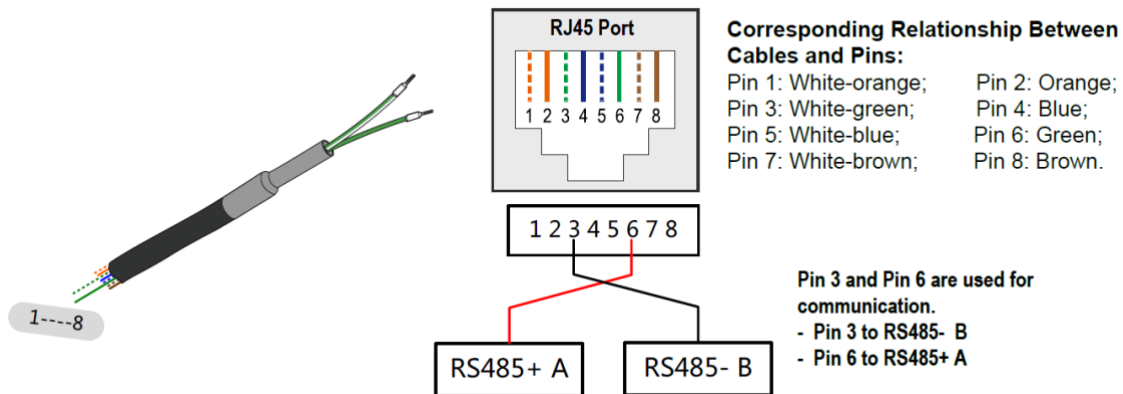


Figure 1

- RS485+ A Green (Pin 6)
- RS485- B White/Green (Pin 3)

If the issue persists, please take photos testing on site and contact Sungrow Service Department on 1800 786 476.