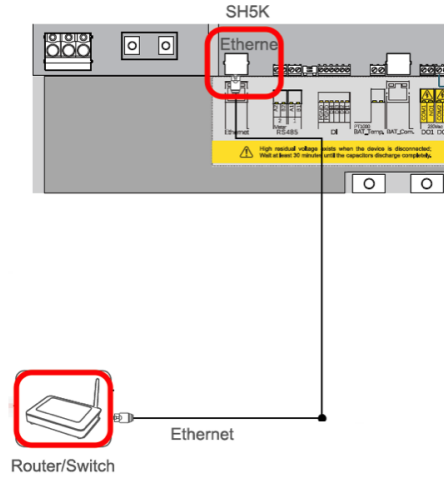
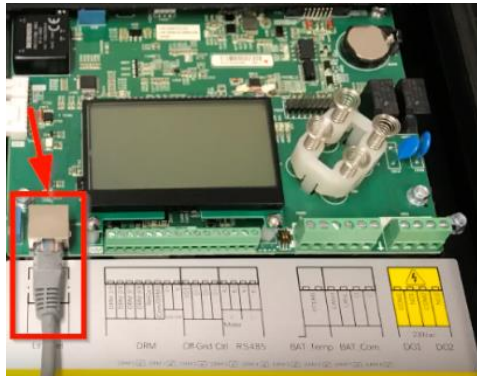


Setting up monitoring by Ethernet

1. Connection the Ethernet cable between the router and the inverter (Ethernet port).



2. Take the inverter cover off (unlock the clips and open the cover door). The Ethernet cable connects to the SH5K.



3. Plug in the other end of the cable to the router. Use an extender if necessary.

Open up a web browser (such as Google Chrome, Opera) and go to www.solarinfobank.com.

Register an account.



Please select the type of user



Home Users

For traditional photovoltaic system used for small household, provide basic system information. If SolarInfo Home APP needs to be used, select this type for registration.



Business Users

For medium and small scale commercial power plants and small household energy storage system, detailed system information can be viewed. In case household energy storage system uses SolarInfo Moni APP, please select this type for registration.

1. User Information > **2. Plant Information** **3. Devices information**

Note: * Required fields

Login Name: *

Password: *

Confirm Password: *

Home Energy Storage
 Yes No

User:
 Agree [«User Agreement»](#)

Expansion

Please click [Sungrow SolarInfobank Web Portal](#) to watch the tutorial video.